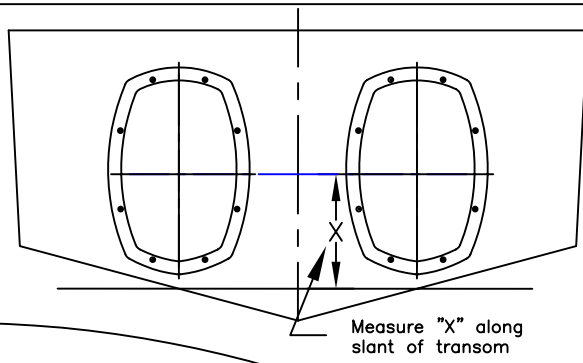


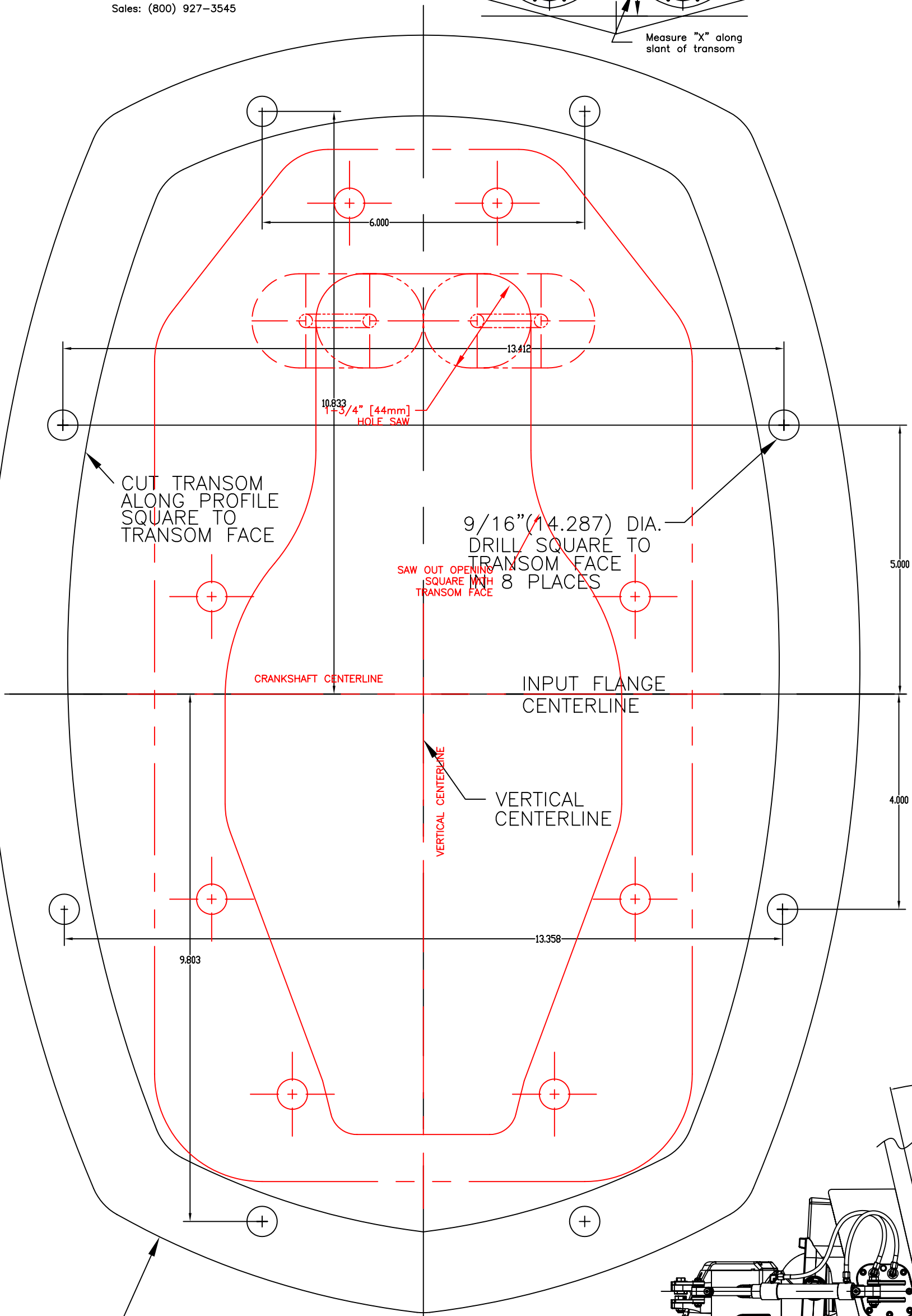
Konrad

ACE PACKAGE

Sales: (800) 927-3545



REVISED 3/06 11-895



AREA WITHIN OUTLINE
TO BE FLAT WITHIN
1/16" (2.0)

- 13.0" (330.2)
- 13.5" (342.9)
- 14.0" (355.6)
- 14.5" (368.3)
- 15.0" (381.0)
- 15.5" (393.7)
- 16.0" (406.4)
- 16.5" (419.1)

