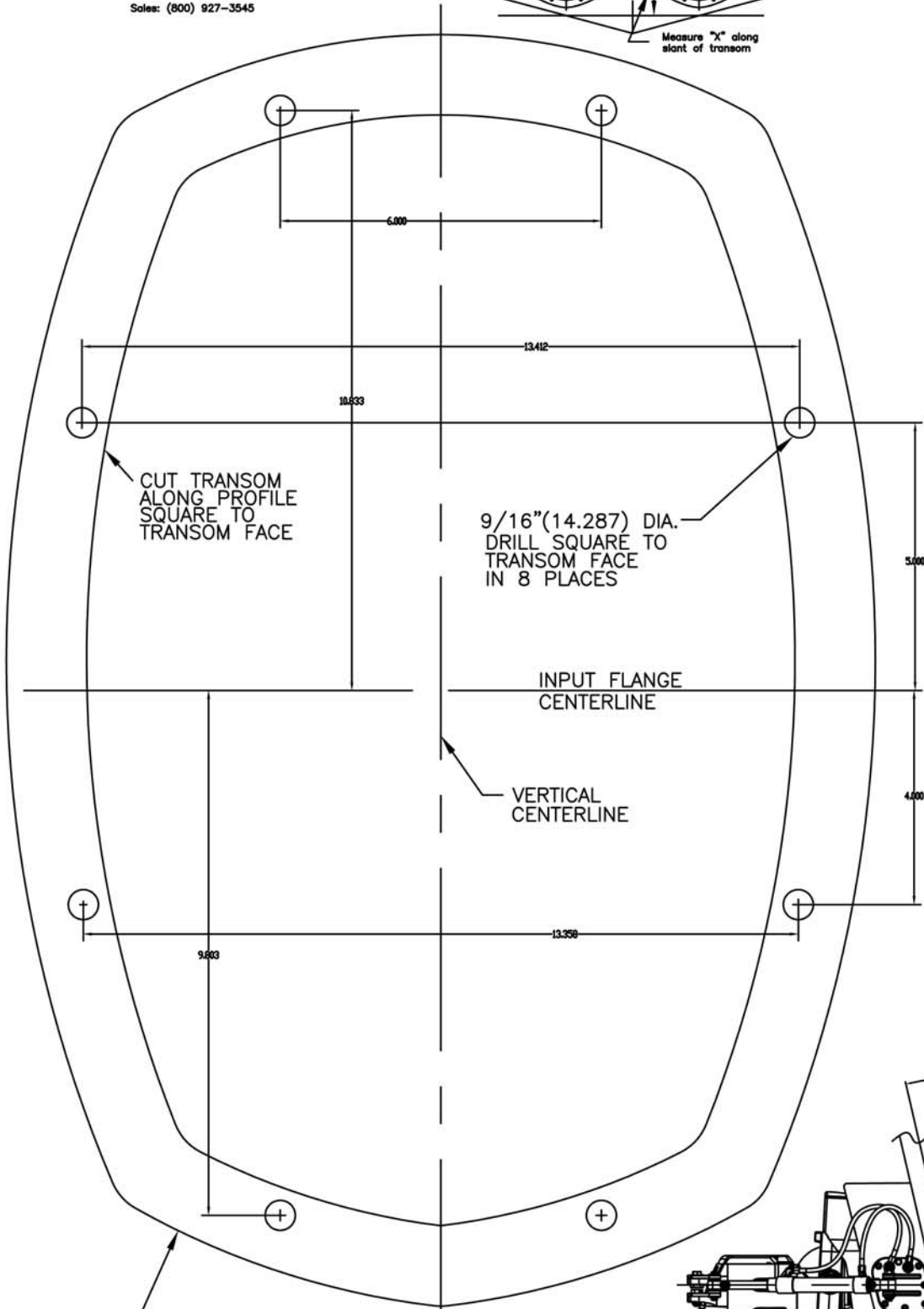
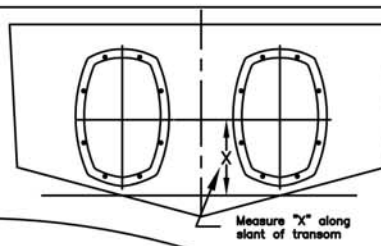


# Konrad

## ACE PACKAGE

Sales: (800) 927-3545



AREA WITHIN OUTLINE TO BE FLAT WITHIN 1/16" (2.0)

- 13.0° (330.2)
- 13.5° (342.9)
- 14.0° (355.6)
- 14.5° (368.3)
- 15.0° (381.0)
- 15.5° (393.7)
- 16.0° (406.4)
- 16.5° (419.1)

