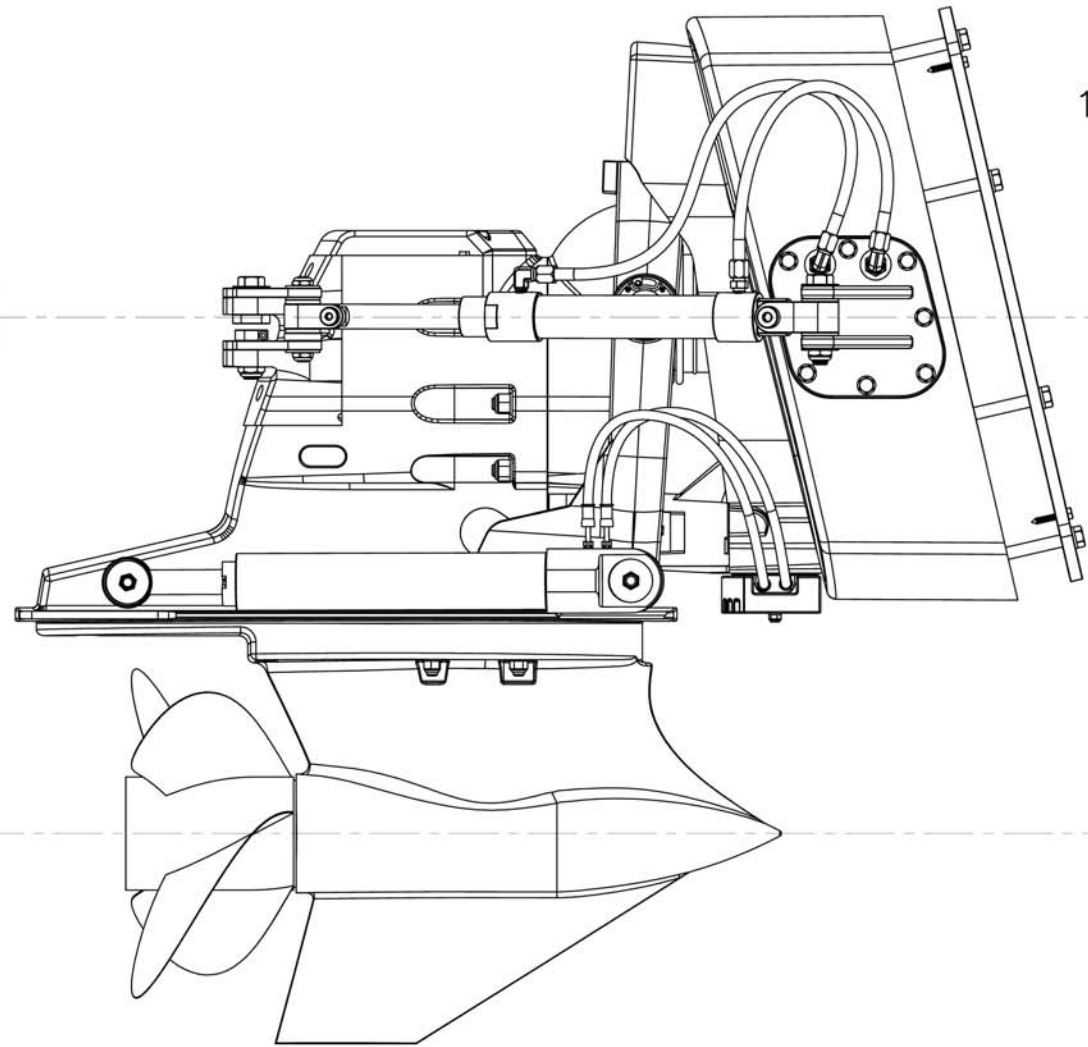
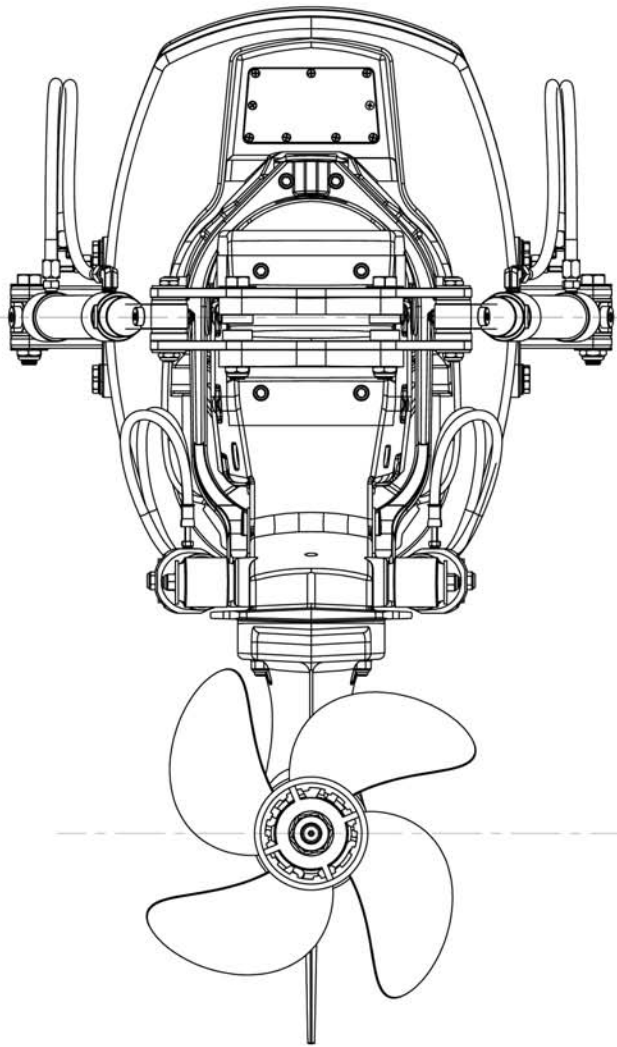
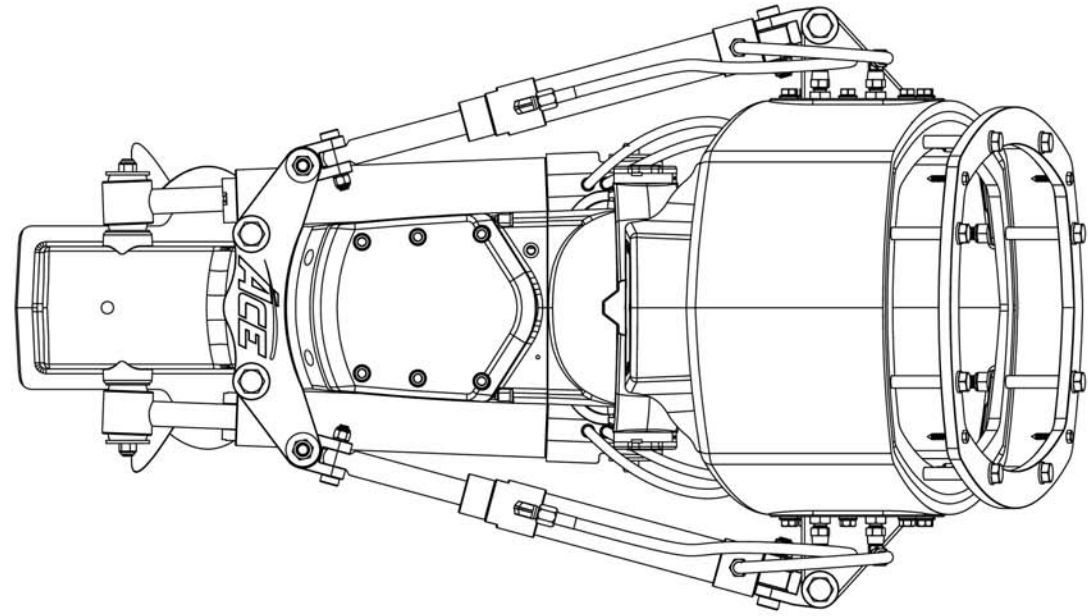
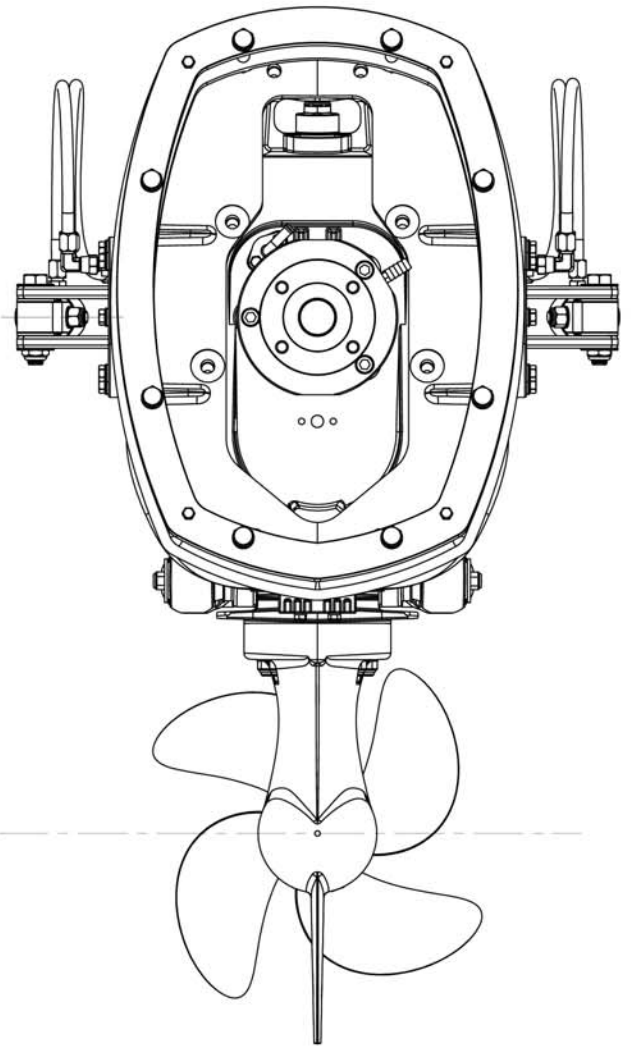


DATE	SYN	REVISION	DR	CK	APPR



13° TRANSOM  
REQUIRED

20.875



THIS DOCUMENT AND THE INFORMATION CONTAINED HEREIN IS CONFIDENTIAL AND PROPRIETARY PROPERTY AND MUST NOT BE USED, REPRODUCED, OR ITS CONTENT DISCLOSED, IN WHOLE OR IN PART, WITHOUT PRIOR WRITTEN CONSENT OF KOHRAD MARINE.

NEXT ASS'Y	TOLERANCE	<i>Koerad</i>			
	.X ± .020	MAT'L	N.A.	SCALE	DRAWN BY: <i>ALB</i>
	.XX ± .010			1:1	APPROV. BY:
	.XXX ± .005	TITLE <b>ACE PACKAGE SINGLE DRIVE</b>			
		DATE	DRAWING NUMBER		
		10/4/06			