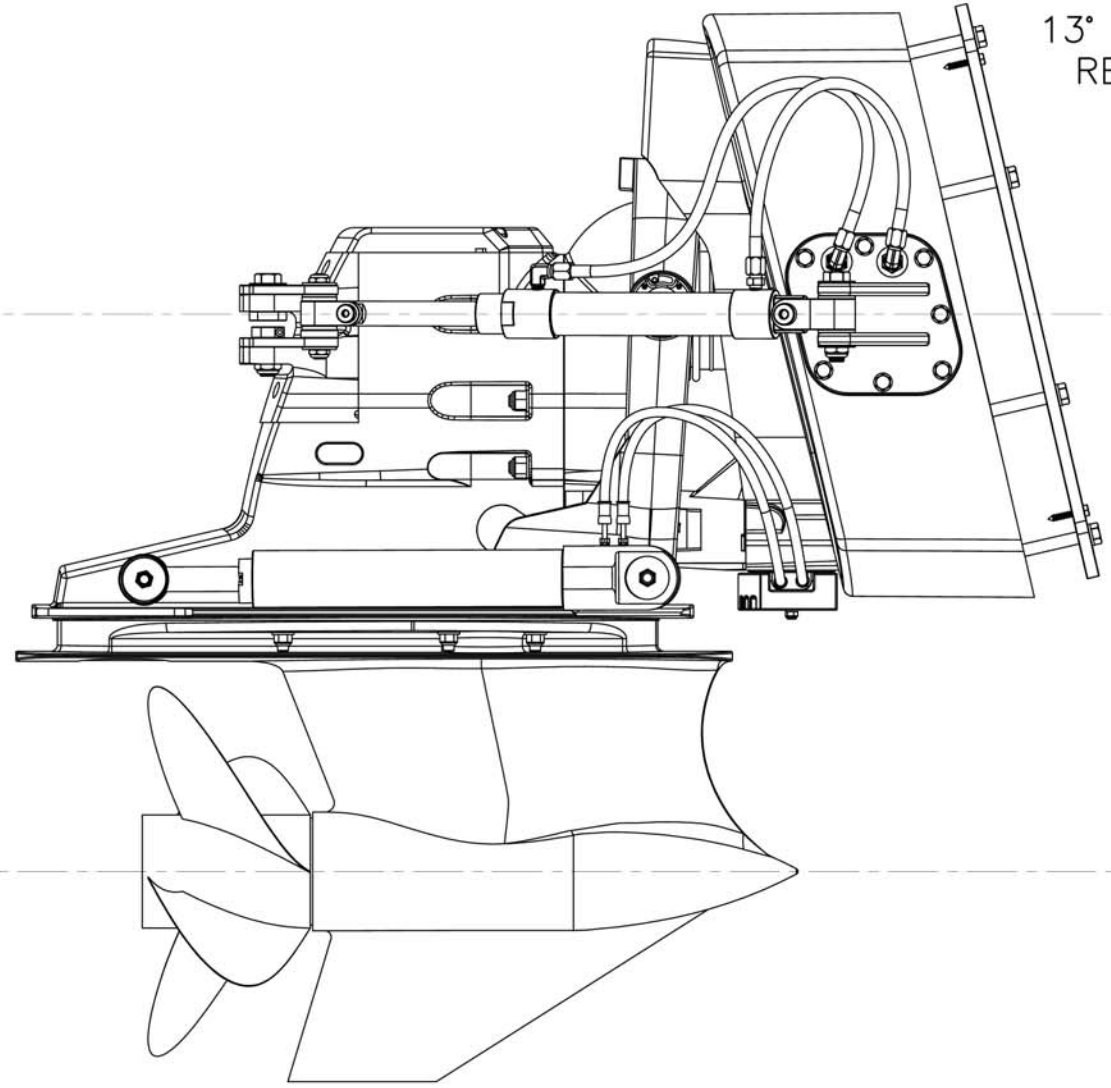
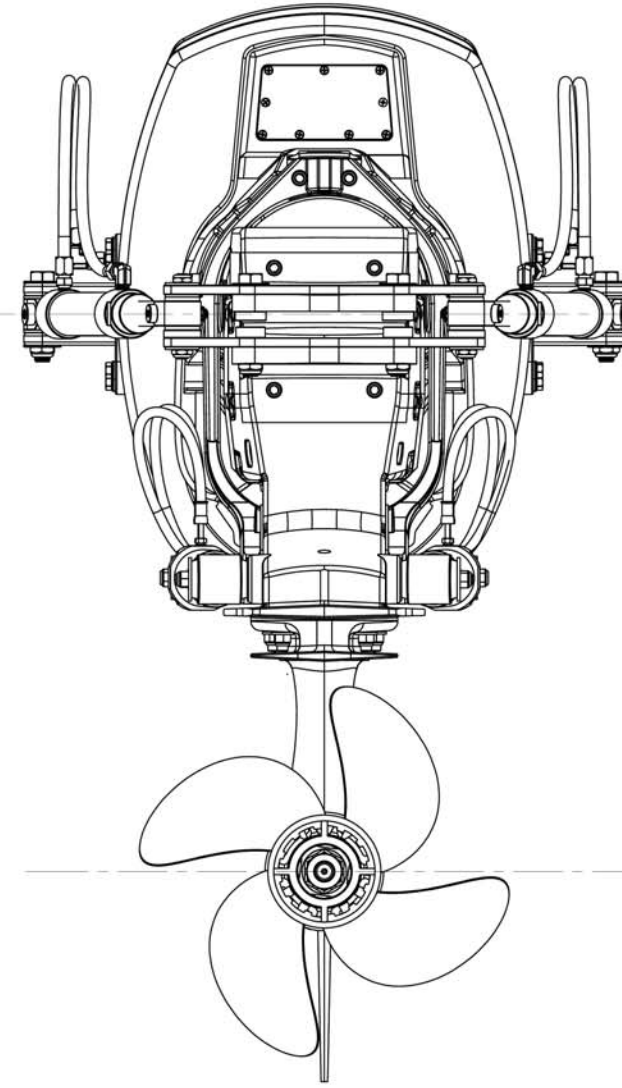
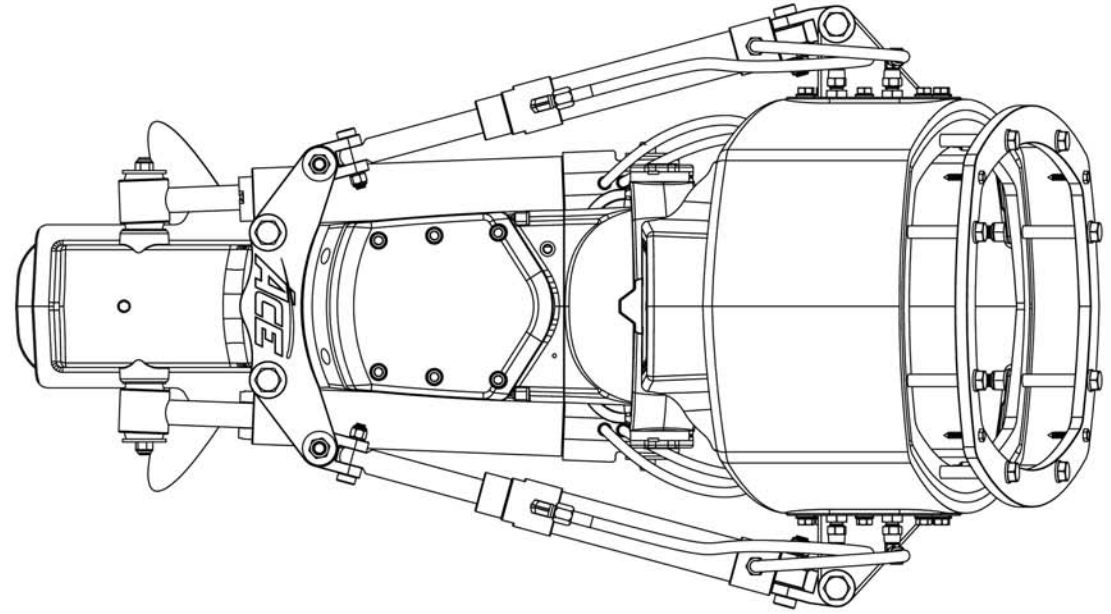
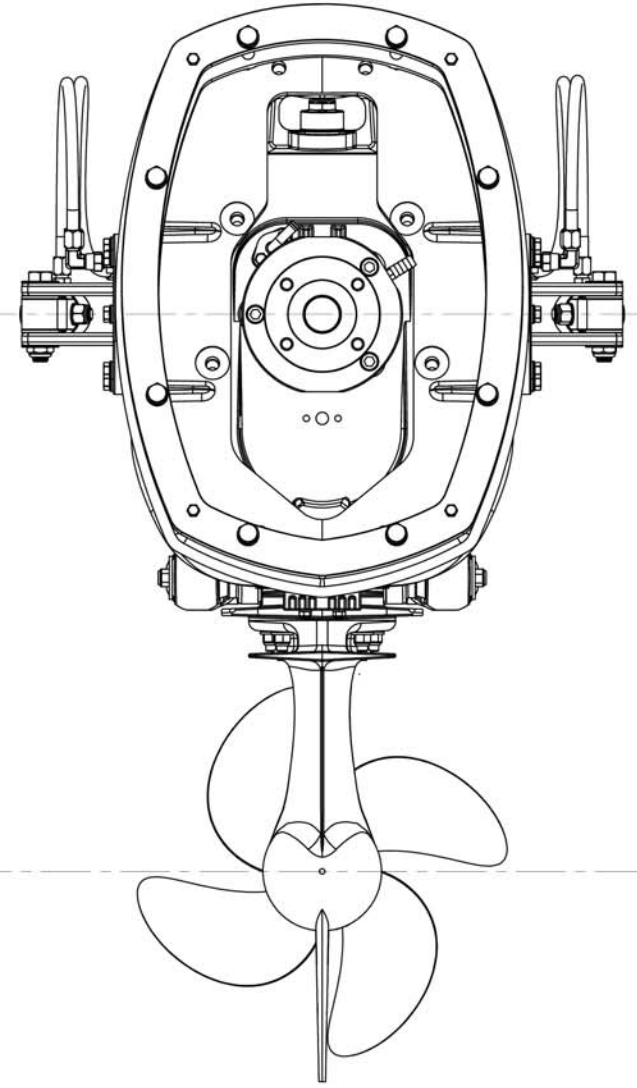


DATE	SYN	REVISION	DR	CK	APPR



13° TRANSOM
REQUIRED

22.530



THIS DOCUMENT AND THE INFORMATION CONTAINED HEREIN IS CONFIDENTIAL AND PROPRIETARY PROPERTY AND MUST NOT BE USED, REPRODUCED, OR ITS CONTENT DISCLOSED, IN WHOLE OR IN PART, WITHOUT PRIOR WRITTEN CONSENT OF KOHRAD MARINE.

NEXT ASS'Y	TOLERANCE	Koerad			
	.X ± .020	MAT'L	N.A.	SCALE	DRAWN BY: <i>ALB</i>
	.XX ± .010	TITLE ACE PACKAGE SINGLE DRIVE			
	.XXX ± .005	DATE	10/4/06	DRAWING NUMBER	APPROV. BY: