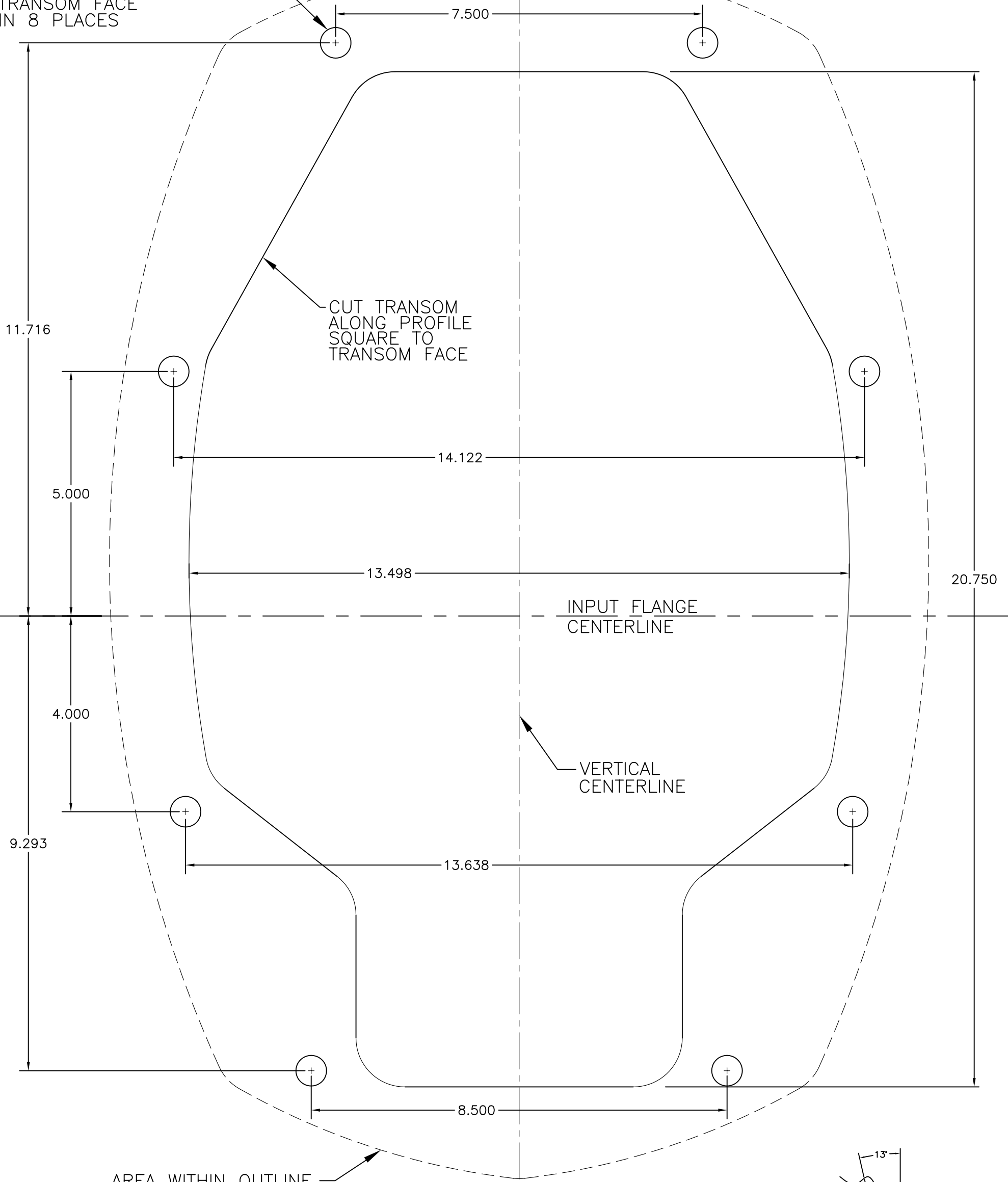
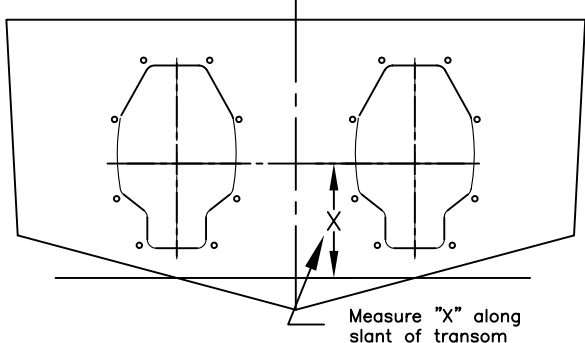


5/8" (15.875 mm) DIA.  
DRILL SQUARE TO  
TRANSOM FACE  
IN 8 PLACES



AREA WITHIN OUTLINE  
TO BE FLAT WITHIN  
1/16" (2.0 mm)



- 13.0" (330.2)
- 13.5" (342.9)
- 14.0" (355.6)
- 14.5" (368.3)
- 15.0" (381.0)
- 15.5" (393.7)
- 16.0" (406.4)
- 16.5" (419.1)

